

JVC

SERVICE MANUAL

STEREO HEADPHONES

HA-G770-E/J/L

The "Product Exchange System" is applicable to this product.
For limited spare parts, refer to the parts list.



SPECIFICATION

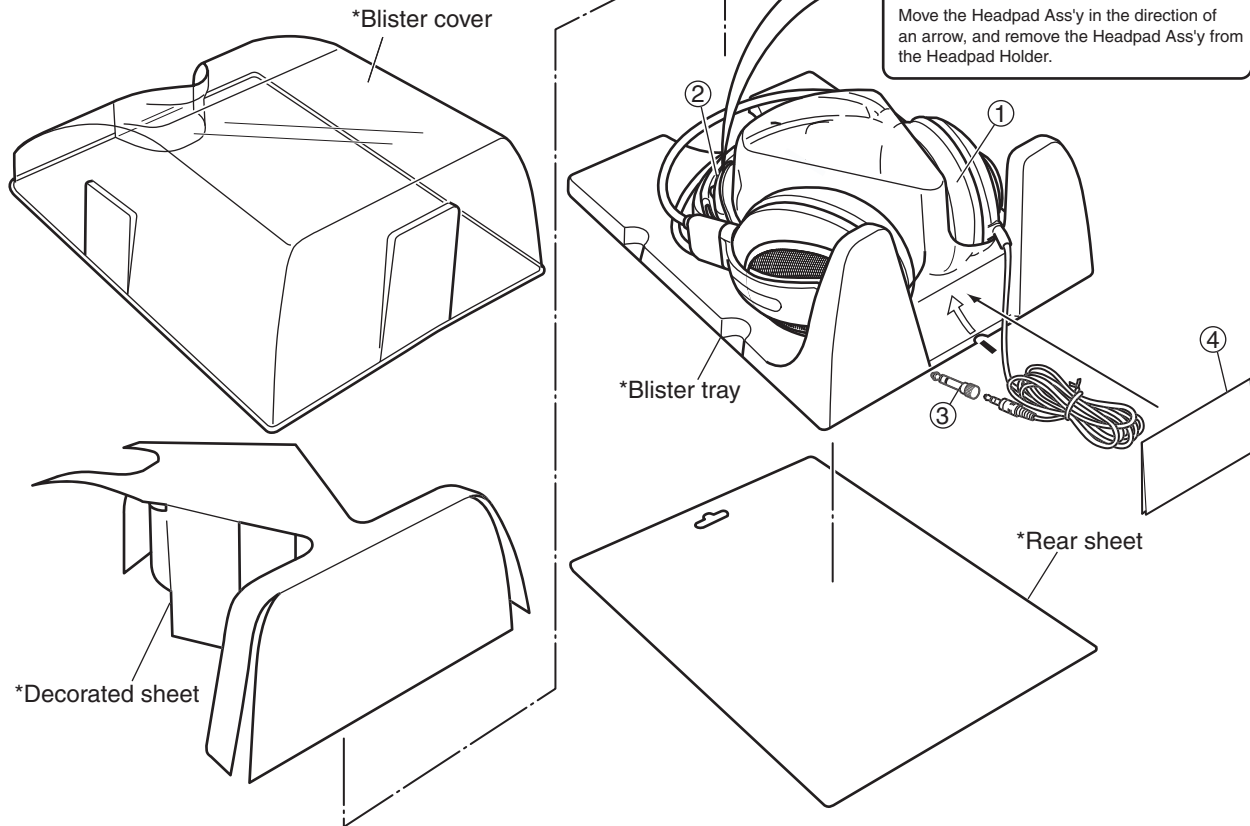
Type	Moving coil
Frequency response	10Hz-25,000Hz
Nominal impedance	52ohms
Sensitivity	107dB/1mW
Max.input capability	100mW
Cord length	3.5m (11.48ft) OFC
Mass	255g (9.0oz) without cord 330g (11.6oz) with cord
Accessory	Plug Adapter(converts stereo miniplug to stereo phone plug)

Design and specifications subject to change without notice.

Packing materials and accessories parts list

Block No. M1MM

Note: These parts which was marked * (Blister cover / Blister tray / Decorated sheet and rear sheet) will not be able to supply as our service parts. Because the blister cover and rear sheet cover together of this package are adhered by glue.

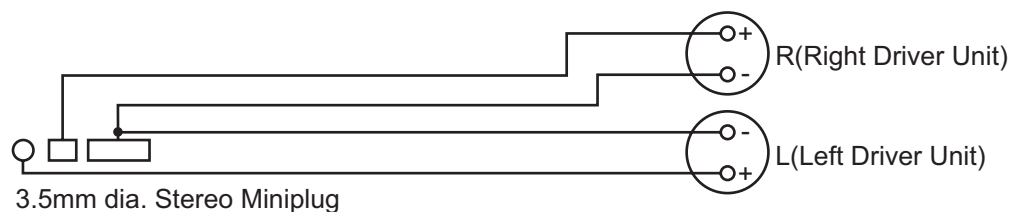


Parts list

△	SYMBOL	PARTS NO.	PARTS NAME	Q'TY	DESCRIPTION
	1	J47370-001	Ear Pad	2	
	2	J47373-001	Headpad Ass'y	2	
	3	J32699-001	Plug Adapter	1	24K gold-plated
	4	BT-51007-6C	Warranty information card	1	for (J) models only

* Parts marked (△) are safety parts. When replacing, be sure to use the specific one.

Wiring Diagram



JVC

VICTOR COMPANY OF JAPAN, LIMITED
AV & MULTIMEDIA COMPANY ACCESSORIES CATEGORY 1644, Shimotsuruma, Yamato, Kanagawa 242-8514, Japan

(No.XC012)